



WORLDWIDE PATENTS

**GENERAL CHARACTERISTICS**

Electrical Requirements .....	220-240V / 20 Amps / 3 Phase / 50/60 Hz
Pneumatic Requirements .....	Min 6 Bars (90 PSI) / 24 cfm
Hydraulic Unit .....	200 Bars (2,900 PSI) with Accumulator
Spindle Motor .....	5 HP AC Servo
Spindle Rotation Speed .....	5-8,000 RPM
Cutting Strategies .....	5
Bi-Directional Cutting .....	Yes
Targeted Spindle Speed .....	Yes
Machine Shell with Computer Controlled Automatic Doors .....	Yes
Coolant w/Fixed Collection System, Y-Axis Mount & Command Override .....	Yes
Number of CNC Axes .....	7 to 11 (with C1 to C4 Option)
Numerical Controls .....	NEWEN®
Software .....	NEWEN®
Z-Axis, Machine Head Travel Mechanism .....	Linear Ways with Pneumatic Lock
Transmission Clutch System (for Optimal Centering) .....	Yes
Machining Spindle Tilt (Rotation) .....	N/A
X-Axis, Auto Centering Capacity .....	N/A
Y-Axis, Auto Centering Capacity .....	N/A
Y'-Axis, Machine Parallels .....	Mechanical, Hydraulic unlocking
Warranty Against Manufacturing Defects ( As Per General Conditions of Sales) ----	1 Year
Training .....	Inquire with your Local Distributor

**SQUIRT REAMER CONFIGURATION - Retractable Reamer with High-Pressure**

Coolant Through-The-Center .....	Yes
----------------------------------	-----

**CAPACITY**

X-Axis, Machine Head Travel .....	1,260mm (49.61")
Y-Axis, Machine Head Travel .....	120mm (4.72")
Z-Axis, Machine Head Travel .....	320mm (12.60")
Y'-Axis, Machine Parallels Travel .....	136mm (5.35")
Z'-Axis, Spindle Sheath Travel .....	60mm (2.36")
X-Axis, Carriage Travel .....	16mm (0.630")
Maximum Profile Length (Profile ID to Profile OD) .....	32mm (1.260")
Maximum Profile Length (Z Axis) .....	90mm (3.54")
Valve Seat Machining Capacity (Based on Available Tip Holders) .....	23mm-100mm (0.906"-3.937")
Valve Guide Reaming Capacity .....	90mm (3.54")
Combination Valve Guide Reaming/Valve Seat Machining .....	Yes

**PC SPECIFICATIONS**

Display Size .....	15"
Network Card .....	Yes
Floppy Drive .....	Yes
CD Drive .....	Yes
USB port .....	Yes
Operating System .....	Windows® XP Pro

**PROGRAMS**

Contour™ (Optimized Single Point Valve Seat Machining) .....	Yes
Guide (Optimized Valve Guide Reaming) .....	Yes

**CYLINDER HEAD CAPACITY**

Maximum Height (Based on 210mm Length Pilot) .....	400mm (15.75")
Maximum Width .....	Unlimited
Maximum Depth .....	Approx 500mm (19.69")

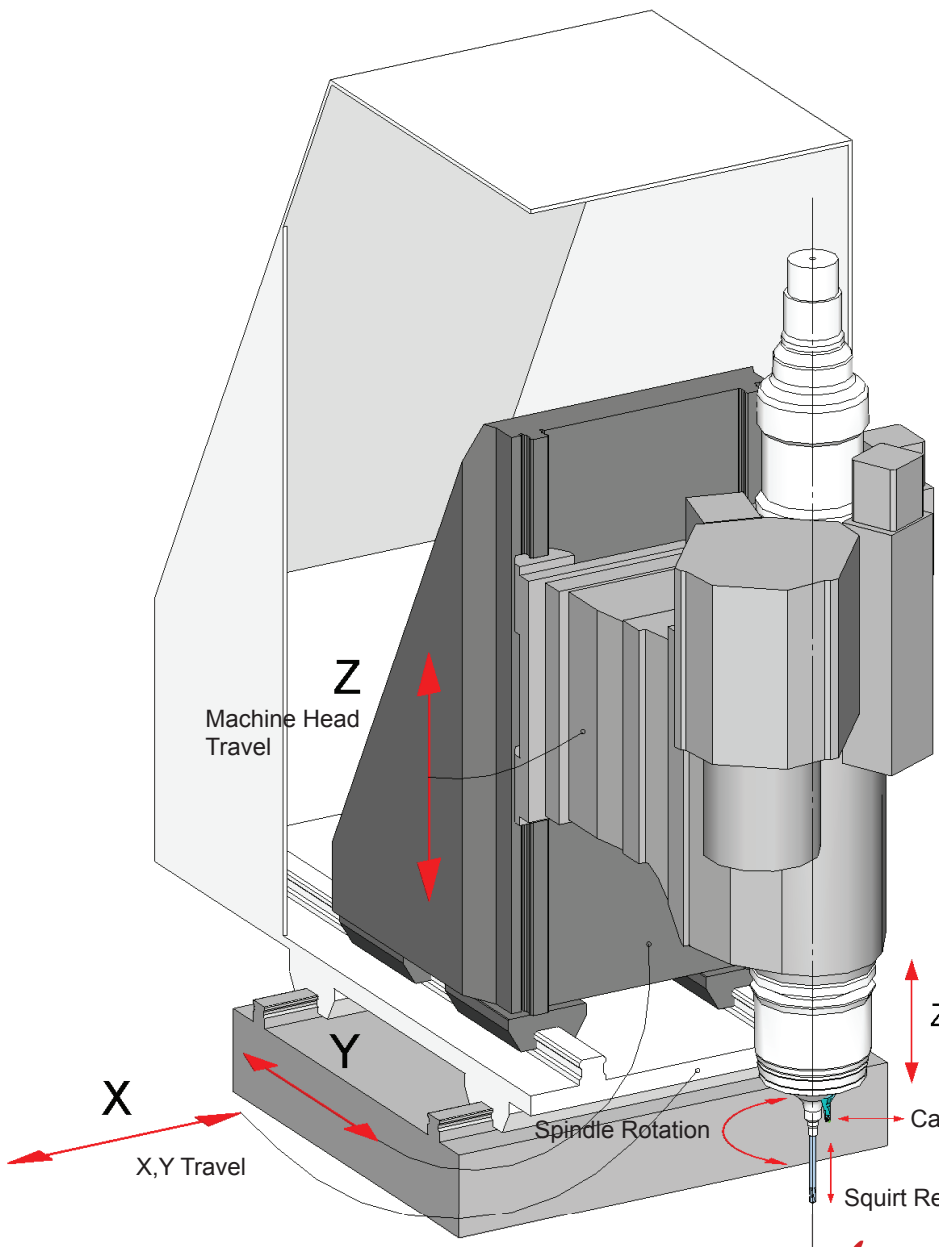
**MACHINE DIMENSIONS**

Maximum Machine Height .....	2,440mm (96.06")
Maximum Machine Width .....	4,370mm (172.05")
Maximum Machine Depth .....	2,230mm (87.80")
Footprint (Width x Depth) .....	4,370mm x 2,230mm (172.05" x 87.80")
Net Weight .....	2960 Kg (6526 Lbs)

**CRATE DIMENSIONS**

Height ↑ .....	2,520mm (99.21")
Width ↔ .....	4,100mm (161.42")
Depth ↗↘ .....	1,760mm (69.29")
Gross Weight .....	3260 Kg (7187 Lbs)

NEG-RR™ SPECIFICATIONS



■ Numerically Controlled Travel



\* Squirt Reamer  
(Retractable Reaming Tool)  
with Coolant through the Center  
(Rapid Attachment System).



NEWEN • USA • Tel: +1-760-233-0067 • Toll Free (USA & Canada): 1-800-639-3693 • Fax: +1-760-233-0068  
NEWEN • FRANCE • Tel: +33 (0)4-50-25-87-82 • Fax: +33 (0)4-50-97-64-93  
Fixed-Turning@newen.com • www.newen.com

YOUR DISTRIBUTOR: